

Stock Code: **20043L-LEDDMG-BL/CLR**

Collection: Mist

**PRODUCT INFORMATION**

Base: 20043L Parent: 20043L-LEDDMG  
Mounting Type: Wall UPC: 641594228991  
Finish: Black  
Diffuser: Clear

**PRODUCT MEASUREMENTS**

<b>FIXTURE</b>	<b>BACKPLATE / CANOPY</b>
Length:	Length
Width: 7.25"	Width:
Diameter	Diameter:
Height: 10"	Height:
Extension: 3.75"	
Overall Height:	

**TECHNICAL SPECIFICATIONS**

**SPECIFICATIONS**

Frame Material: Steel	
Diffuser Material: Glass	
Lamping Type: SSL (Dedicated LED)	Jbox: Standard
Lamping Base: SSL	Lamp Wattage: 15 W
Lamp Quantity: 1	Total Wattage: 15 W
Voltage: 120v	Lamps Included: Yes

**QUALIFICATIONS**

Location Rating: Wet	
Certification: UL (US/Canada) Listed	
ADA Compliant: Yes	Energy Star: No
JA8 Compliant: Outdoor Only	Emergency Lighting: No
Marine Grade Finish: Yes	
Warranty: 5 Year	

**PHOTOMETRICS**

Dimmable: Yes	Nominal Lumens: 1100 Lm
CRI: 90	Delivered Lumens: 668 Lm
CCT: 3000K	
Recommended Dimmers:	

**ADDITIONAL NOTES**

Project Name: \_\_\_\_\_

Location: \_\_\_\_\_

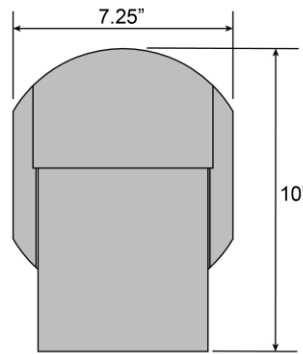
Type: \_\_\_\_\_

Quantity: \_\_\_\_\_

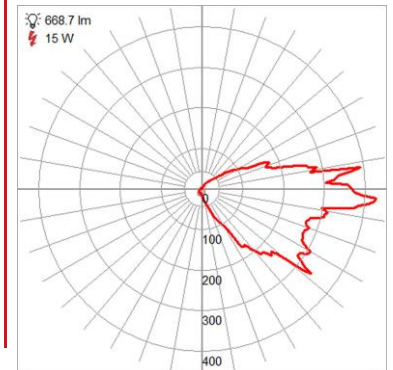
Notes: \_\_\_\_\_



**LINE DRAWING**



**IES FILE**



In addition to Access Lighting's purchase and warranty terms and conditions, by signing below or placing an order, you agree that you are authorized to bind the entity placing any order and acknowledge the following: All of sizes and measurements are approximate and all images are for illustrative purposes only. In the event of an inconsistency, the "Product Measurements" section controls. There also may be slight differences in the colors and designs compared to the displayed and printed images.

Signature: \_\_\_\_\_

Print Name \_\_\_\_\_ Date: \_\_\_\_\_

**Toll Free 800-828-5483 www.AccessLighting.com**

14410 Myford Road, Irvine, CA 92606

